



SINCE 1908  
**wessels**  
 company

**SUBMITTAL**

**FXA-SERIES**

HYDRO-PNEUMATIC TANKS

Models: FXA-1000 thru FXA-15000

Submittal Sheet No. C-1006B

Date: 6/13

Job Name _____	Submitted By _____	Date _____
Location _____	Approved By _____	Date _____
_____	Order No. _____	Date _____
Engineer _____	Notes _____	
Contractor _____	_____	
Sales Rep. _____	_____	

**Description**

Wessels type FXA tanks are ASME replaceable bladder type pre-charged hydro-pneumatic tanks for commercial and industrial well and water systems, booster systems, or other potable water applications. They are designed to deliver water under pressure between pump cycles to provide sufficient flow to meet demands. The water is contained in a butyl bladder. All FXA hydro-pneumatic tanks can be installed vertically or horizontally.

**Construction**

Shell: Carbon Steel  
 Bladder: Heavy Duty Butyl (FDA Approved)  
 System Connection: Epoxy lined

**Performance Limitations**

Maximum Design Temperature: 240°F  
 Maximum Design Pressure: 125 PSIG\*

\*200 & 250 PSIG available



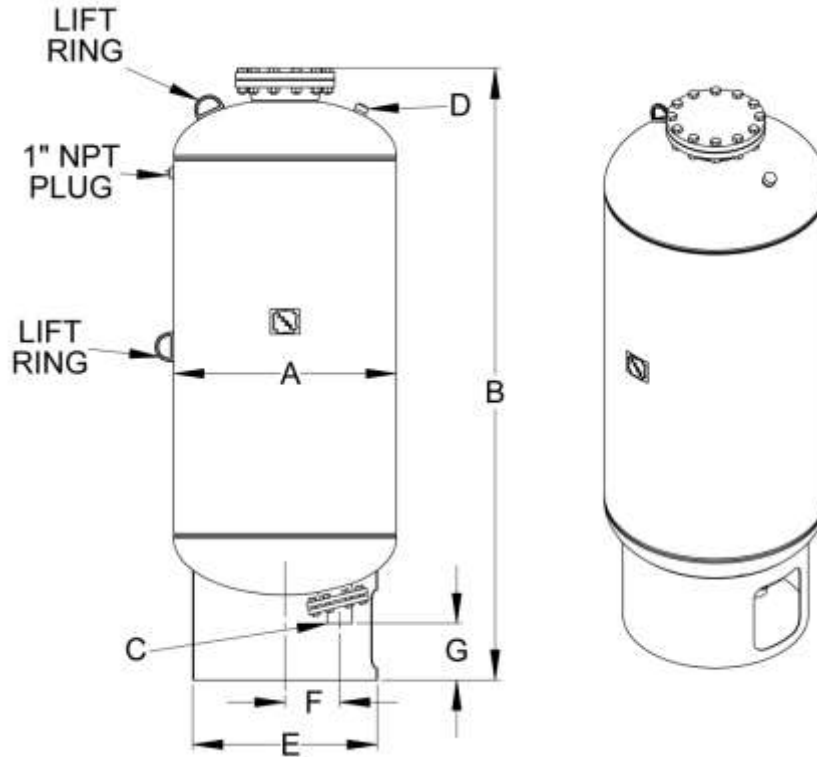
Listed  
Materials

Model Number	Part Number	Tank Volume (Gallons)	Tagging Information	Quantity
FXA-1000	21011000	264		
FXA-1200	21011200	317		
FXA-1400	21011400	370		
FXA-1600	21011600	422		
FXA-2000	21012000	528		
FXA-2500	21012500	660		
FXA-3000L	21013000	792		
FXA-3000S	21013001	792		
FXA-4000	21014000	1056		
FXA-5000	21015000	1320		
FXA-7500	21017500	1980		
FXA-10000	21019999	2640		
FXA-15000	21500000	3963		

**Typical Specification**

Furnish and install, as shown on plans, a \_\_\_\_\_ gallon \_\_\_\_\_" diameter X \_\_\_\_\_" (high) pre-charged steel hydro-pneumatic tank with replaceable heavy-duty butyl bladder. The tank shall have NPT epoxy lined system connections and a 0.302"-32 charging valve connection (standard tire valve) to facilitate the on-site charging of the tank to meet system requirements. The tank must be constructed in accordance with most recent addendum of Section VIII Division 1 of the ASME Boiler and Pressure Vessel Code.

Each tank shall be Wessels model number FXA- \_\_\_\_\_ or approved equal.



FXA-1000 thru FXA-15000

**Dimensions & Weights**

Model Number	Dimensions in Inches							Approx. Ship Wt. (lbs)
	A	B	System Connection	Charging Valve	E	F	G	
			C	D				
FXA-1000	36	87	3	0.302 - 32NC	30	8	8 1/2	735
FXA-1200		98 1/2						745
FXA-1400		110 1/2						900
FXA-1600	48	84	4	0.302 - 32NC	42	9	8 3/4	1210
FXA-2000		96						1305
FXA-2500		110						1430
FXA-3000L	60	133	4	0.302 - 32NC	54	10	8 1/4	1575
FXA-3000S		93						2169
FXA-4000		115						2638
FXA-5000	72	138	4	0.302 - 32NC	60	11	8 1/4	3246
FXA-7500		140						4080
FXA-10000		172						4920
FXA-15000		243						6000

**Notes**

- Tanks are factory pre-charged at 30 psi and field adjustable.
- California code-sight glass is available upon request.
- Tanks installed horizontally must have the system connection below the horizontal centerline of the tank.
- Available with mounting clips.